

SINGLE SIDED L

LIFT DOOR - VARIA ASH-P8

Type
Flue Damper
Fixed or Variable Aeration
Average Peak Power

Lift Door
Yes
Variable
14.1KW

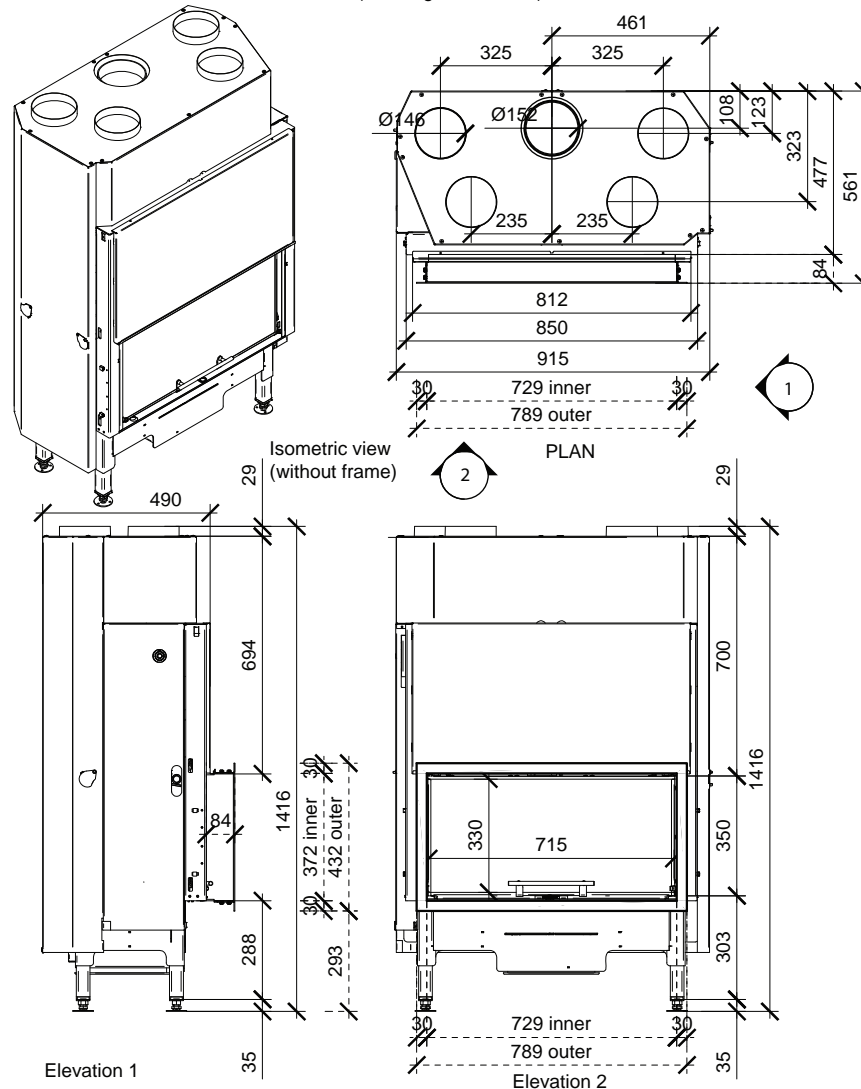
Average Efficiency
Flue Diameter
Average Emission Factor
Unit Weight

67.6%
150mm
0.99 g/Kg
264Kg



PRODUCT DIMENSIONS

Frame shown dashed
(Drawing not to scale)



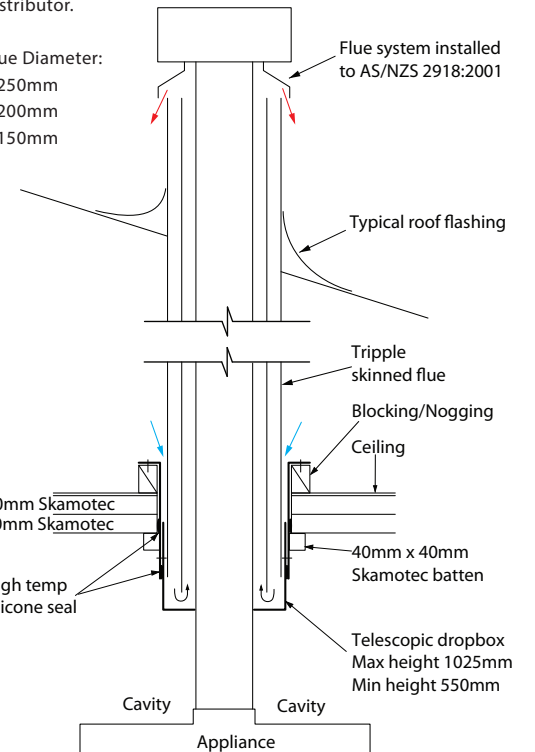
FLUE SYSTEM

Any flue system used on this fire must comply and be installed to fully meet the requirements of AS/NZS 2918:2001 Domestic solid fuel burning appliances – Installation.

A flue drop box kit specifically designed for this spartherm appliance provides the means both to incorporate a triple skinned flue installation as well as seal the appliance cavity from the rest of the dwelling.

The drop box flue kit is available from your authorised dealer or distributor.

Flue Diameter:
Ø250mm
Ø200mm
Ø150mm



Guidelines only. Installation must be undertaken by an approved installer. Refer to the installation manual for further detail.

SINGLE SIDED L

LIFT DOOR - VARIA ASH-P8



CAVITY INFORMATION

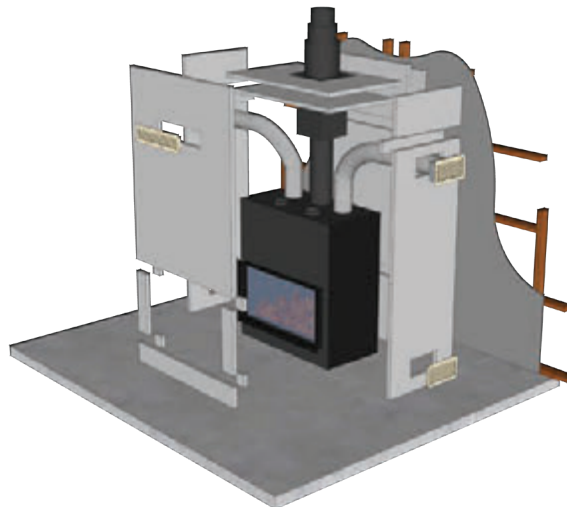
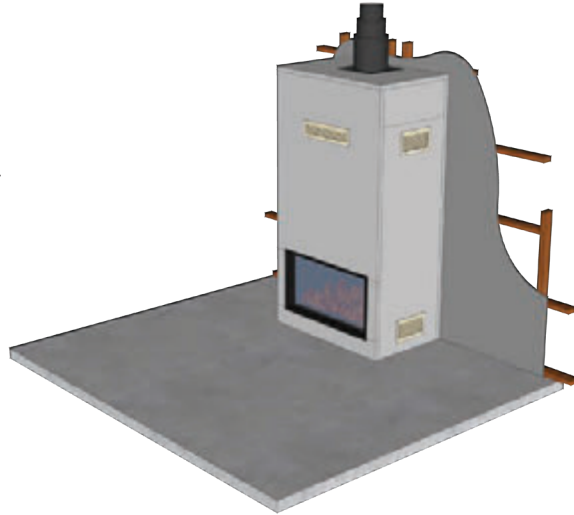
The cavity / housing for the fireplace must be constructed entirely from Skamotec 225 TM 40mm calcium silicate board only, wherever the fireplace is placed against a combustible or heat sensitive wall or material a double layer (2 x 40mm sheets) of Skamotec 225 TM shall be used as a heat barrier.

The fireplace must be installed on a non-combustible base that is suitably engineered to support the weight of the appliance.

If space constraints allow it is good practice to also build in an air gap (40mm) between the Skamotec 225 TM and the combustible wall / material. The air gap should be "vented" top and bottom to allow for "cooling air" circulation. The vent holes must NOT be open to or take air from the fireplace cavity as this area becomes very hot during use. The potential to transfer hot air from within the cavity into the "air gap" should be avoided at all costs.

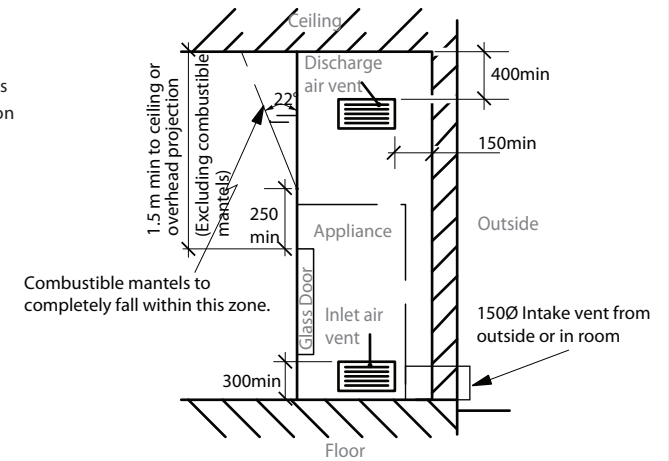
Combustible or heat sensitive materials shall NOT be used within the construction of the cavity / housing.

Do not line the outer face of the Skamotec 225 TM with combustible materials (GIB board etc).



MANTLE CLEARANCES

Ensure clearances to combustibles are maintained when building a mantel or shelves above the appliance. Elevated temperatures on the wall or in the air above the appliance can cause melting, discolouration or damage to decorations, a T.V. or other electronic components



HEARTH

An insulating Hearth conforming to the size requirements in the diagram below must be installed unless the floor is made entirely from a non-combustible material.

The hearth must be constructed from 40mm Skamol 225 TM board and finished in a suitable non-combustible material (stone, ceramic tile, brick etc).

2x 40 mm sheets of Skamotec between any combustible wall and the appliance.

