

Joins between double layers of Skamotec sheets should be staggered and/or have blocking of at least 150mm sealed with Skamolex high temp adhesive

Wherever the cavity is placed against a combustible and/or a heat sensitive wall or material 2x 40mm sheets of Skamotec must be used as a heat barrier

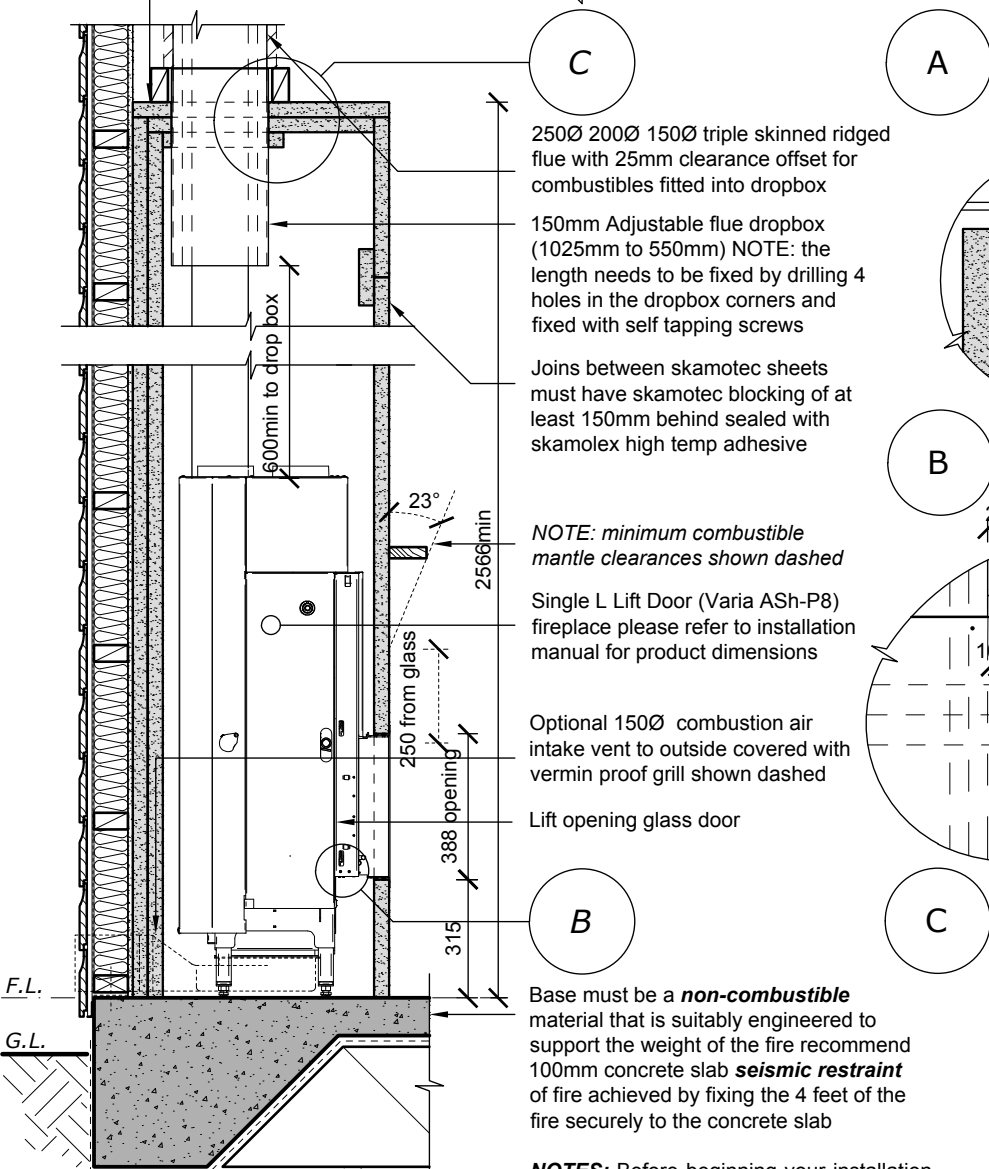
Single L LD (Varia ASH-P8) fireplace please refer to installation manual for product dimensions

A hearth conforming to the size requirements listed in section 3.5 of the spartherm NZ installation manual **must** be installed unless the floor is made entirely from a non-combustible material. The hearth must be constructed from 40mm Skamotec board and finished with a suitable non-combustible material e.g. stone/ceramic tile/brick etc.

NOTE: there is a **2 meter exclusion zone** from the appliances glass panel for heat sensitive materials soft furnishings etc. please refer to the spartherm NZ installation manual section 3.5 safety clearances

### PLAN WITH CLEARANCES

Scale: 1:20



### SECTION D

Scale: 1:20

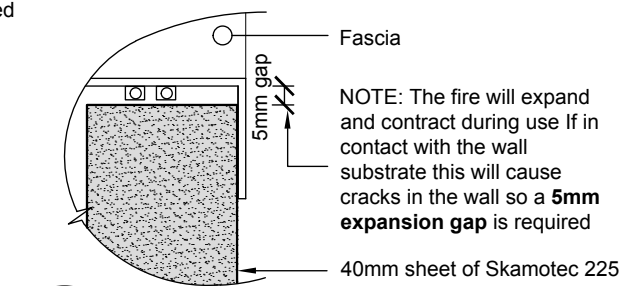
Base must be a **non-combustible** material that is suitably engineered to support the weight of the fire recommend 100mm concrete slab **seismic restraint** of fire achieved by fixing the 4 feet of the fire securely to the concrete slab

NOTES: Before beginning your installation, consult with your local building code agency or fire officials and insurance representative to ensure compliance.

### EXPANSION GAP DETAIL

### EXPANSION GAP DETAIL

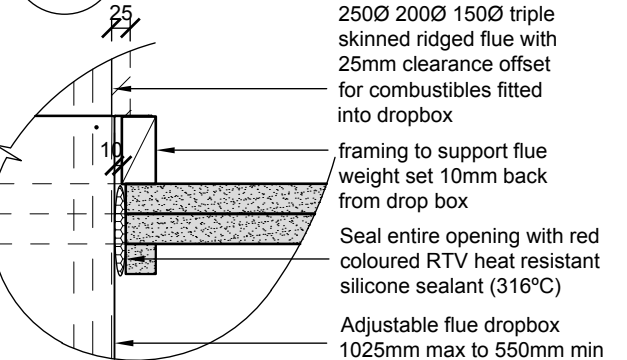
Scale: 1:2



### DROP BOX DETAIL

### DROP BOX DETAIL

Scale: 1:10



The installation and construction of the fire/fireplace enclosure and the finishing and commissioning of the installation is a highly specialist task. Only **ESCEA trained** and **approved tradesmen** should be used. Failure to follow these requirements will void all warranty terms. **IMPORTANT:** This technical sheet should be used in conjunction with Spartherm NZ installation manual failure to do so may result in improper specification and/or design leading to an inadequate/poor installation.



DRAWING TITLE		WEBSITE: www.spartherm.co.nz	
SINGLE L LIFT DOOR - VARIA ASH-P8 CAVITY INFORMATION			
SCALE AT A4:	REV DATE:	DRAWN BY:	CHECKED BY:
AS SHOWN	13/04/2016	BC	RM
ECN NO:	DRAWING NO:	DRAWING SET:	REVISION NO:
ECN2190	EDA003S	02S	001

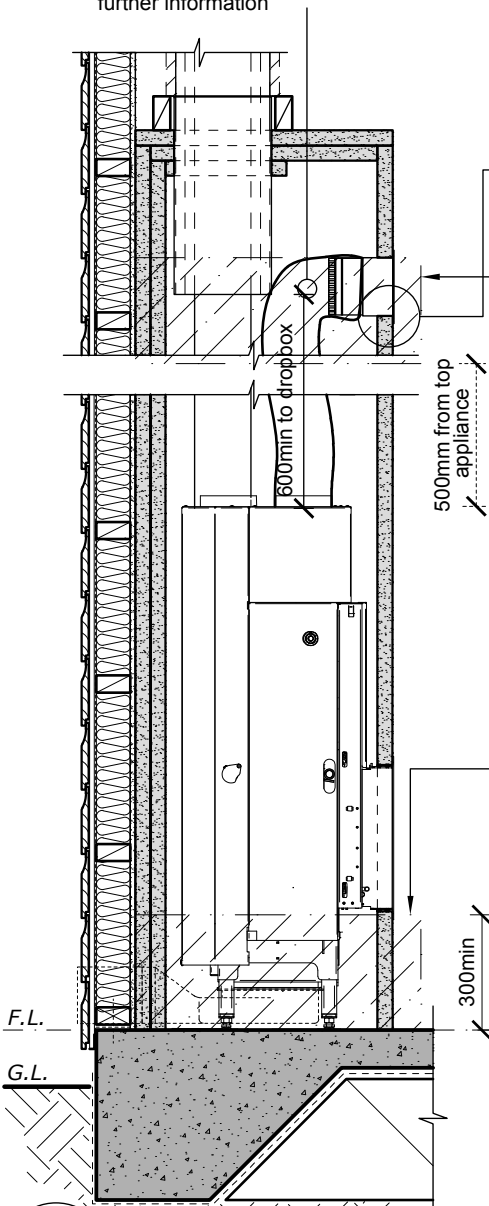
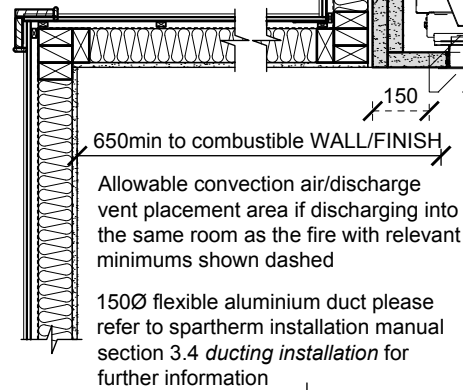
Varia ASH-P8 Weight: 225kg approx.

ALL DIMENSIONS SHOWN MILLIMETERS (mm) UNLESS OTHERWISE STATED

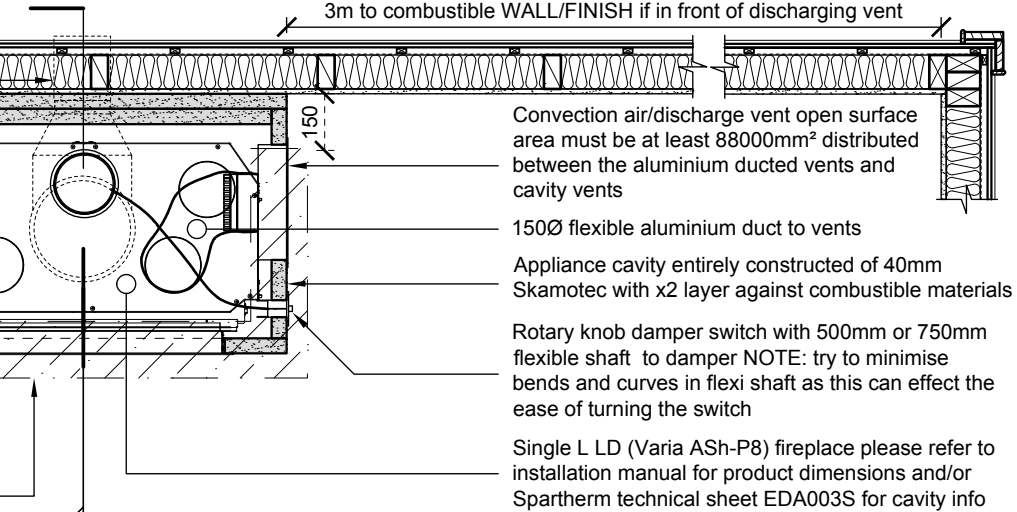
GENERAL CONSTRUCTION AND FINISHES SHOWN INDICATIVE ONLY

*Guidelines only. Installation must be undertaken by an approved installer. Refer to the installation manual for further detail.*

Optional 150Ø combustion air intake vent to outside covered with vermin proof grill shown dashed ensure pipe is as short and unrestricted as possible use 45° bends in lieu of 90° bends and restrict the total number of bends to 2



**SECTION D**  
Scale: 1:20



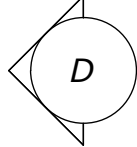
Convection air/discharge vent open surface area must be at least 88000mm<sup>2</sup> distributed between the aluminium ducted vents and cavity vents

150Ø flexible aluminium duct to vents

Appliance cavity entirely constructed of 40mm Skamotec with x2 layer against combustible materials

Rotary knob damper switch with 500mm or 750mm flexible shaft to damper NOTE: try to minimise bends and curves in flexi shaft as this can effect the ease of turning the switch

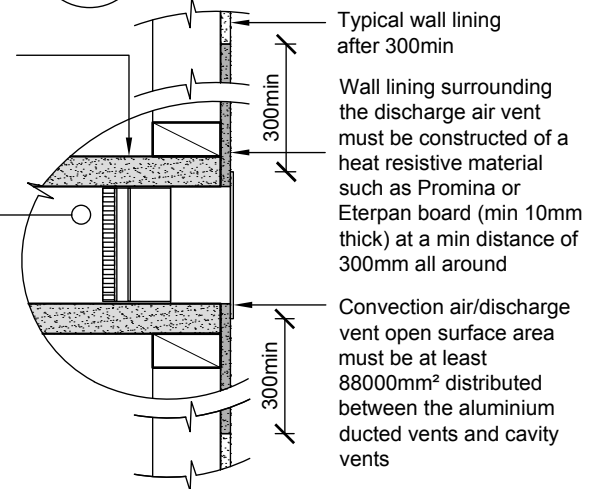
Single L LD (Varia ASH-P8) fireplace please refer to installation manual for product dimensions and/or Spartherm technical sheet EDA003S for cavity info



**PLAN**  
Scale: 1:20

40mm Skamotec boxing to completely enclose ducting length outside of Spartherm cavity

Flexible aluminium duct please refer to spartherm installation manual section 3.4 ducting installation for further information



**OTHER ROOM VENT**  
Scale: 1:10

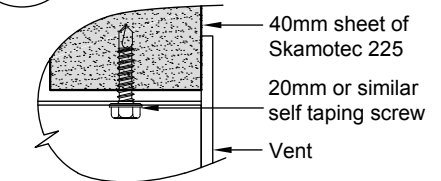
Allowable convection air/discharge vent placement area if discharging into the same room as the fire with relevant minimums shown dashed

NOTE: the hot air can be completely or partially distributed to other areas of the same room or alternative rooms via flexible aluminium ducting or vents within the cavity walls. The total convection air venting open surface area must be at least 88000mm<sup>2</sup> distributed between the aluminium ducted vents and cavity vents

Allowable intake vent placement area if taking combustion air from the immediate room as the fire

NOTE: if taking intake/combustion air from same room as the fire ensure that the room has sufficient ventilation that complies with AS/NZS 2918:2001 clause 7.1 in addition the intake vent of the cavity must be at least 44700 mm<sup>2</sup> (17700mm<sup>2</sup> convection air) plus 27000mm<sup>2</sup> (27000mm<sup>2</sup> convection air) and must be installed at 300mm max above F.L. two vents (one each side) is preferential over one

If taking combustion air/intake from outside of the building (Direct vent) through 150Ø pipe and into the appliance via the optional appliance adaptor ensure that the run of the Ø150mm pipe is as short and unrestricted as possible use 45° bends in lieu of 90° bends and restrict the total number of bends to 2. In addition the cavity must have a 27000mm<sup>2</sup> convection air vent that must be installed at 300mm max above F.L. two vents (one each side) is preferential over one



**VENT FIXING DETAIL**  
Scale: 1:2

NOTES: the installation and construction of the fire/fireplace enclosure and the finishing and commissioning of the installation is a highly specialist task. only **ESCEA trained** and **approved tradesmen** should be used. failure to follow these requirements will void all warranty terms.

Before beginning your installation, consult with your local building code agency or fire officials and insurance representative to ensure compliance.

IMPORTANT: This technical sheet should be used in conjunction with Spartherm NZ installation manual failure to do so may result in improper specification and/or design leading to an inadequate/poor installation.

DRAWING TITLE		WEBSITE: <a href="http://www.spartherm.co.nz">www.spartherm.co.nz</a>	
SINGLE L LIFT DOOR - VARIA ASH-P8 VENT INFORMATION			
SCALE AT A4:	REV DATE:	DRAWN BY:	CHECKED BY:
AS SHOWN	13/04/2016	BC	RM
ECN NO:	DRAWING NO:	DRAWING SET:	REVISION NO:
ECN2190	EDA004S	02S	001

Varia ASH-P8 Weight: 225kg approx.  
ALL DIMENSIONS SHOWN MILLIMETERS (mm) UNLESS OTHERWISE STATED

GENERAL CONSTRUCTION AND FINISHES SHOWN INDICATIVE ONLY

Guidelines only. Installation must be undertaken by an approved installer. Refer to the installation manual for further detail.

