

PLAN WITH CLEARANCES

Scale: 1:20

Fascia

NOTE: The fire will expand and contract during use. If in contact with the wall substrate this will cause cracks in the wall so a **5mm expansion gap** is required

EXPANSION GAP DETAIL

Scale: 1:2

250Ø 200Ø 150Ø triple skinned ridged flue with 25mm clearance offset for combustibles fitted into dropbox

framing to support flue weight set 10mm back from drop box

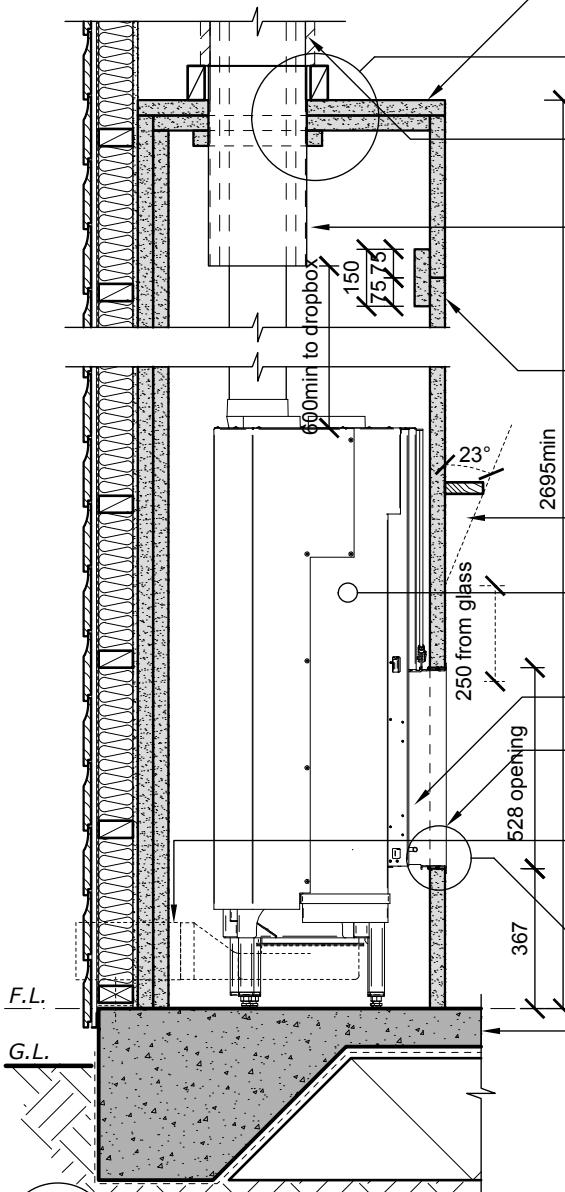
Seal entire opening with red coloured RTV heat resistant silicone sealant (316°C)

Adjustable flue dropbox 1025mm max to 550mm min

DROP BOX DETAIL

Scale: 1:10

The installation and construction of the fire/fireplace enclosure and the finishing and commissioning of the installation is a highly specialist task. Only **ESCEA trained** and **approved tradesmen** should be used. Failure to follow these requirements will void all warranty terms. **IMPORTANT:** This technical sheet should be used in conjunction with Spartherm NZ installation manual. Failure to do so may result in improper specification and/or design leading to an inadequate/poor installation.



SECTION D

Scale: 1:20

DRAWING TITLE:		WEBSITE: www.spartherm.co.nz	
CORNER L/H VARIA 2L 80h-P7 CAVITY INFORMATION			
SCALE AT A4:	REV DATE:	DRAWN BY:	CHECKED BY:
AS SHOWN	29/04/2016	BC	RM
ECN NO:	DRAWING NO:	DRAWING SET:	REVISION NO:
ECN2215	EDA009S	04S	000

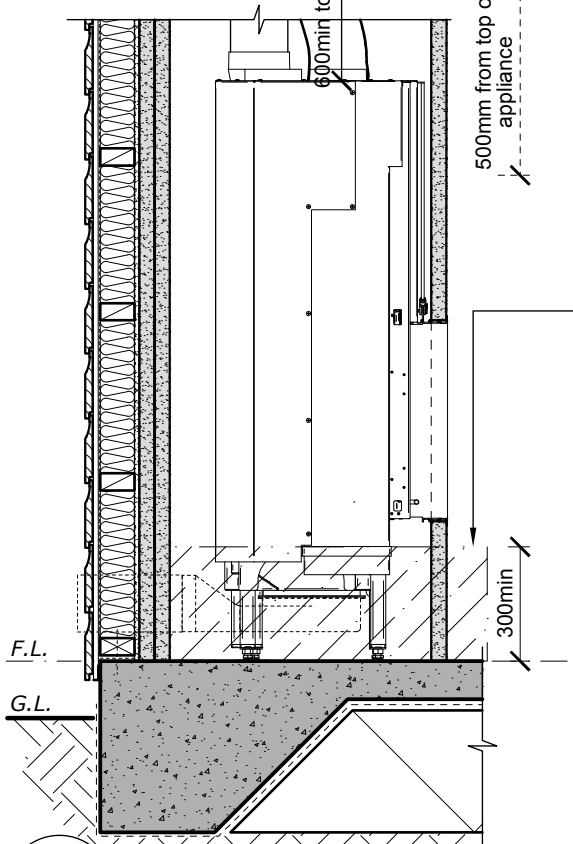
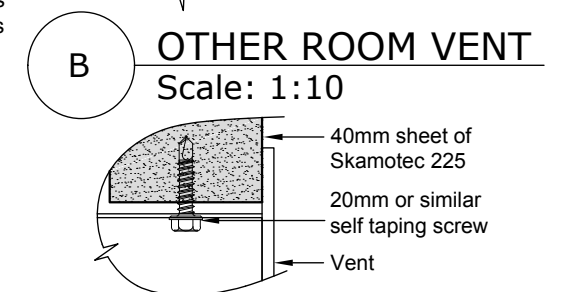
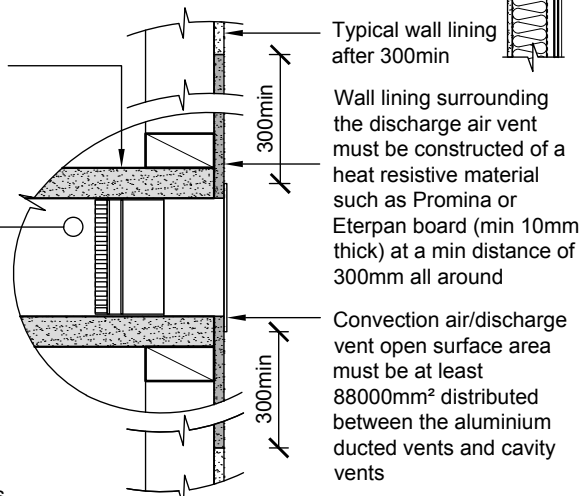
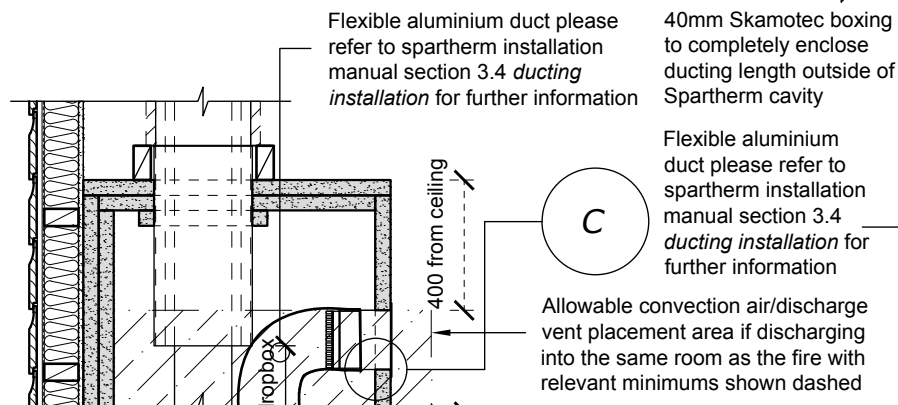
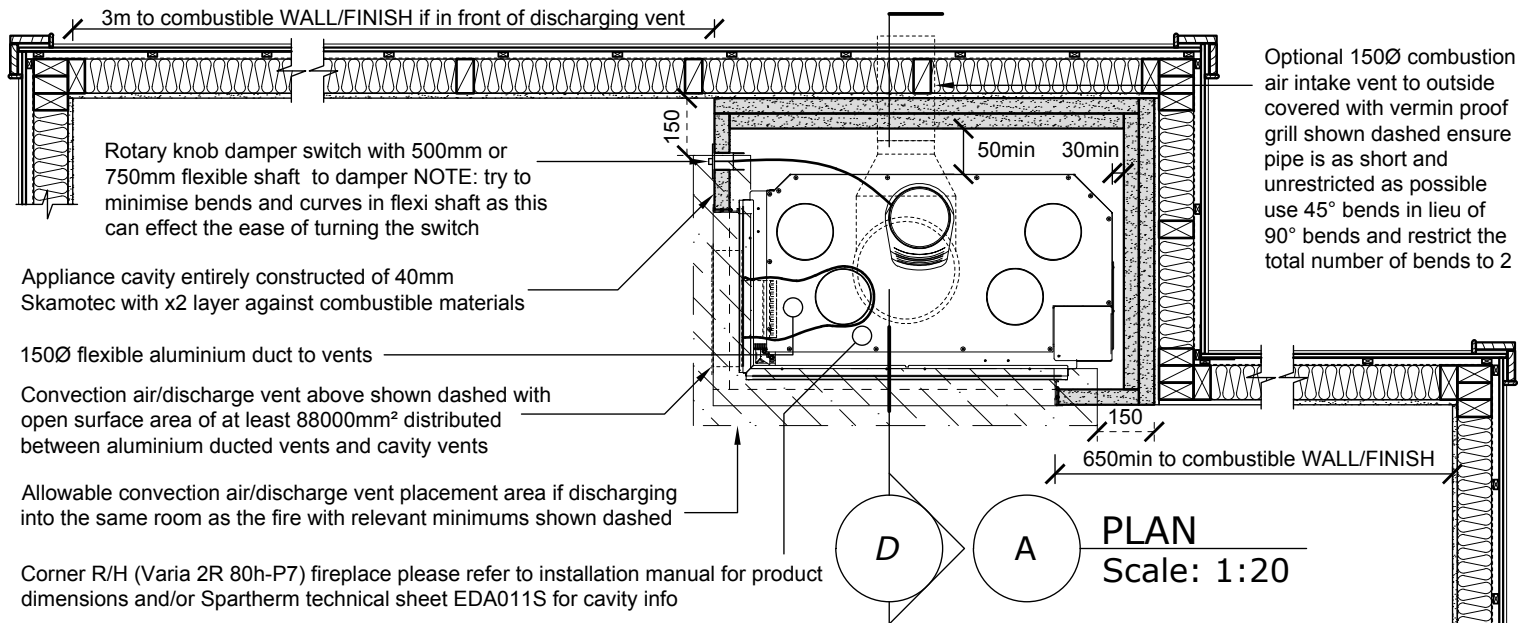
Varia 2L 80h-P7 Weight: 310kg approx.

ALL DIMENSIONS SHOWN MILLIMETERS (mm) UNLESS OTHERWISE STATED

GENERAL CONSTRUCTION AND FINISHES SHOWN INDICATIVE ONLY

Guidelines only. Installation must be undertaken by an approved installer. Refer to the installation manual for further detail.





NOTE: the hot air can be completely or partially distributed to other areas of the same room or alternative rooms via flexible aluminium ducting or vents within the cavity walls. The total convection air venting open surface area must be at least 88000mm² distributed between the aluminium ducted vents and cavity vents

Allowable intake vent placement area If taking combustion air from the immediate room as the fire

NOTE: if taking intake/combustion air from same room as the fire ensure that the room has sufficient ventilation that complies with AS/NZS 2918:2001 clause 7.1 in addition the intake vent of the cavity must be at least 44700 mm² (17700mm² convection air) and must be installed at 300mm max above F.L. two vents (one each side) is preferential over one

If taking combustion air/intake from outside of the building (Direct vent) through 150Ø pipe and into the appliance via the optional appliance adaptor ensure that the run of the Ø150mm pipe is as short and unrestricted as possible use 45° bends in lieu of 90° bends and restrict the total number of bends to 2. In addition the cavity must have a 27000mm² convection air vent that must be installed at 300mm max above F.L. two vents (one each side) is preferential over one

NOTES: the installation and construction of the fire/fireplace enclosure and the finishing and commissioning of the installation is a highly specialist task. only **ESCEA trained** and **approved tradesmen** should be used. failure to follow these requirements will void all warranty terms.

Before beginning your installation, consult with your local building code agency or fire officials and insurance representative to ensure compliance.

IMPORTANT: This technical sheet should be used in conjunction with Spartherm NZ installation manual failure to do so may result in improper specification and/or design leading to an inadequate/poor installation.

SPARTHERM

DRAWING TITLE: CORNER L/H VARIA 2L 80h-P7 VENT INFORMATION WEBSITE: www.spartherm.co.nz

SCALE AT A4: AS SHOWN	REV DATE: 29/04/2016	DRAWN BY: BC	CHECKED BY: RM
ECN NO: ECN2215	DRAWING NO: EDA010S	DRAWING SET: 05S	REVISION NO: 000

Varia 2L 80h-P7 Weight: 310kg approx.

ALL DIMENSIONS SHOWN MILLIMETERS (mm) UNLESS OTHERWISE STATED

GENERAL CONSTRUCTION AND FINISHES SHOWN INDICATIVE ONLY

Guidelines only. Installation must be undertaken by an approved installer. Refer to the installation manual for further detail.